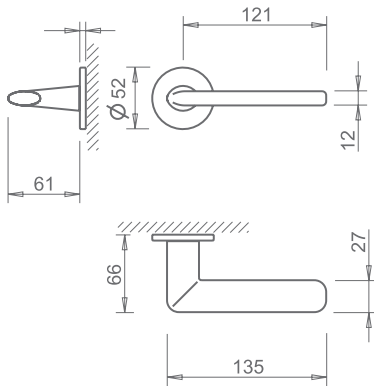


REF. 3098 5S



(03)  
cromado brilhante  
bright chrome



(96)  
cromado satinado  
satin chrome



(141)  
titan



(142)  
níquelado pérola  
nickel pearl



(152)  
branco pérola  
white pearl



(153)  
preto pérola  
black pearl

**Descrição**

Puxador par  
Adaptador metálico com sistema "click"  
Mola recuperadora reversível  
Ferro quadrado de 8x90mm  
Fixação da muleta com perno M6 oculto

**Description**

Lever set  
Metallic mechanism with "click" system  
Reversible recovery spring  
8x90mm square spindle  
Handle fixed by a M6 grub screw

**Matéria Prima**

Zamak ZnAl4Cu1 / EN1774

**Raw Material**

Zamak ZnAl4Cu1 / EN1774

**Aplicação**

Portas interiores com 30mm - 45mm espessura

**Application**

Interior doors with 30mm - 45mm thick

**EN 1906**

2	7	-	0	0	4	0	B
---	---	---	---	---	---	---	---

(acabamentos / finishes 03 - 152 - 153)

2	7	-	0	0	3	0	B
---	---	---	---	---	---	---	---

(acabamentos / finishes 141 - 142)

3	7	-	0	0	4	0	B
---	---	---	---	---	---	---	---

(acabamentos / finishes 96)